

GESR-3813 Full Extension Slide

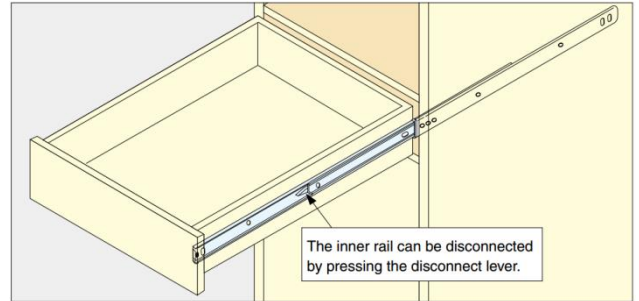
Max load 45kg · Holds closed · Detachable

Features

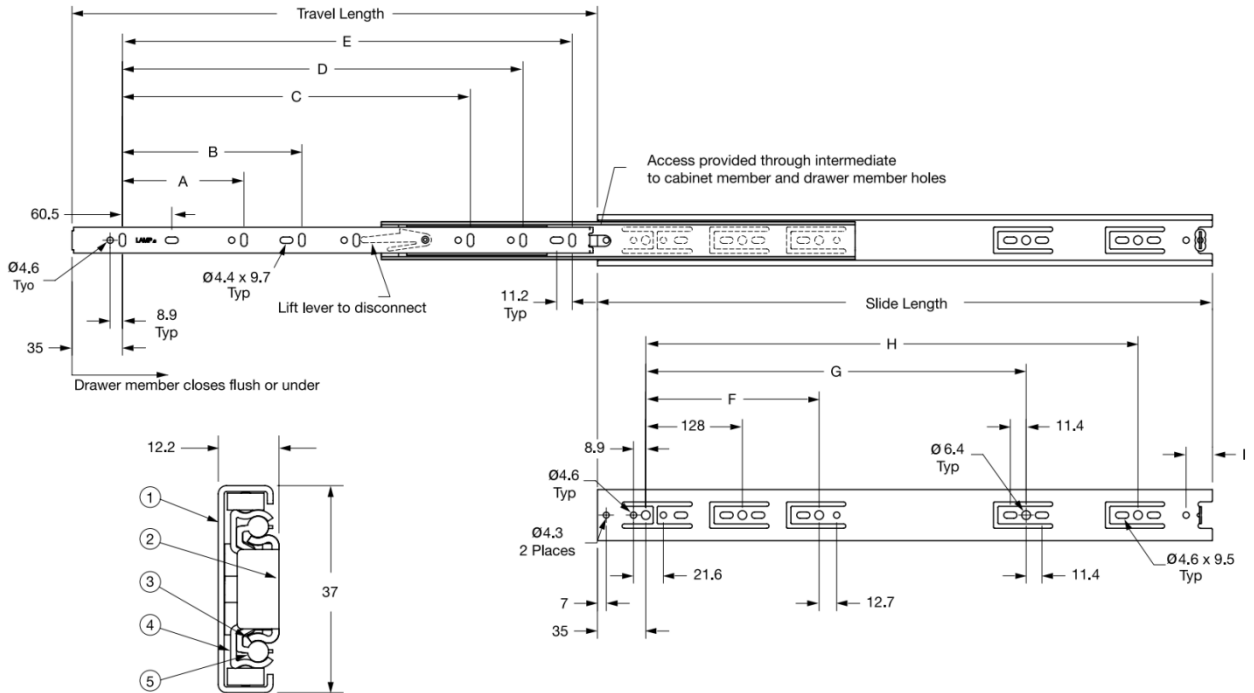
- Full extension
- Front disconnect
- Positive stop
- Hold-in detent

Recommended Screws

- Mount with M4 or #8 Binding, Pan, or Truss head screws



| No. | Part Name | Material |
|-----|---------------------|-----------------------|
| ① | Outer Rail | Stainless Steel (304) |
| ② | Inner Rail | |
| ③ | Retainer | |
| ④ | Intermediate Member | |
| ⑤ | Balls | |



Sold in pairs

| Part No. | Slide Length | Travel Length | A | B | C | D | E | F | G | H | I | Load Capacity (pair) |
|--------------|--------------|---------------|-----|-----|-----|-----|-----|-----|-----|-----|------|----------------------|
| GESR-3813-8 | 200 | 200 | - | | | | 142 | - | | | - | 45 kg |
| GESR-3813-10 | 250 | 243 | | | | | 192 | | | | | 42 kg |
| GESR-3813-12 | 300 | 305 | 128 | | - | - | 242 | 224 | 320 | - | 19.1 | 42 kg |
| GESR-3813-14 | 350 | 355 | | | | | 292 | | | | | 38 kg |
| GESR-3813-16 | 400 | 406 | | | | | 342 | | | | | 36 kg |
| GESR-3813-18 | 450 | 457 | | | | | 392 | | | | | 34 kg |
| GESR-3813-20 | 500 | 508 | | | 320 | | 442 | | 416 | | | 33 kg |
| GESR-3813-22 | 550 | 559 | | | | 416 | 492 | | | 448 | | 31 kg |
| GESR-3813-24 | 600 | 610 | | 224 | 416 | - | 542 | | 352 | 480 | | 29 kg |